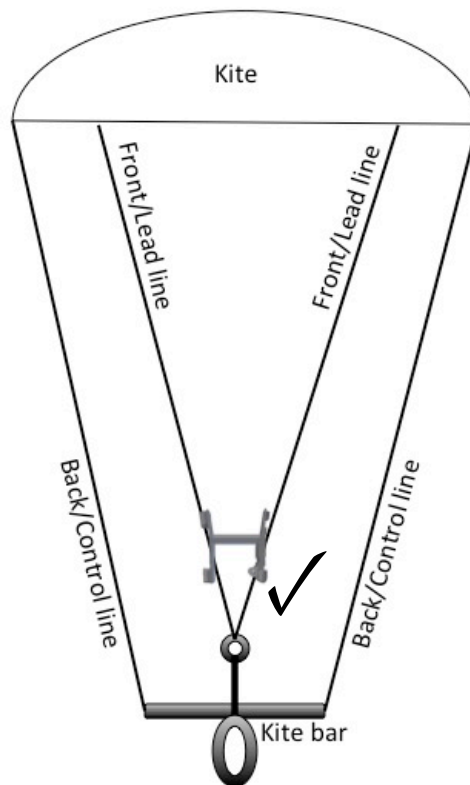


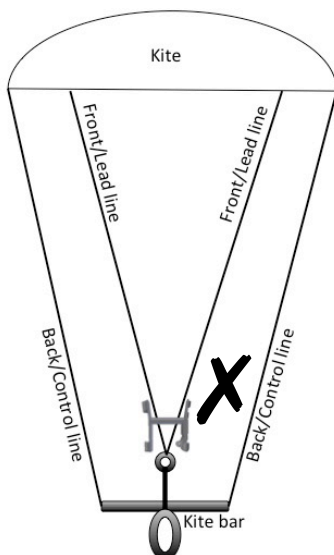
**Quick Installation Guide
For
DK4 Kitesurfing Line Mount**

Step 1: Identify mount position

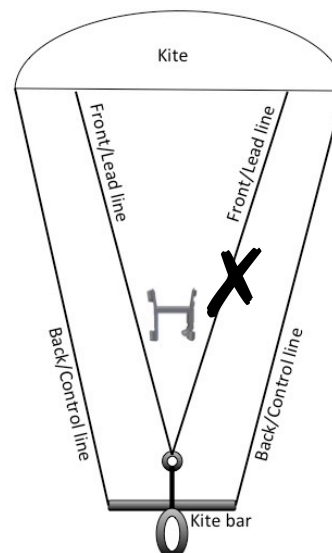
Best mounting position, where the two front line branch out to about the same width as the mount. See diagram below.



Good position, distance between front lines about the same as mount width.



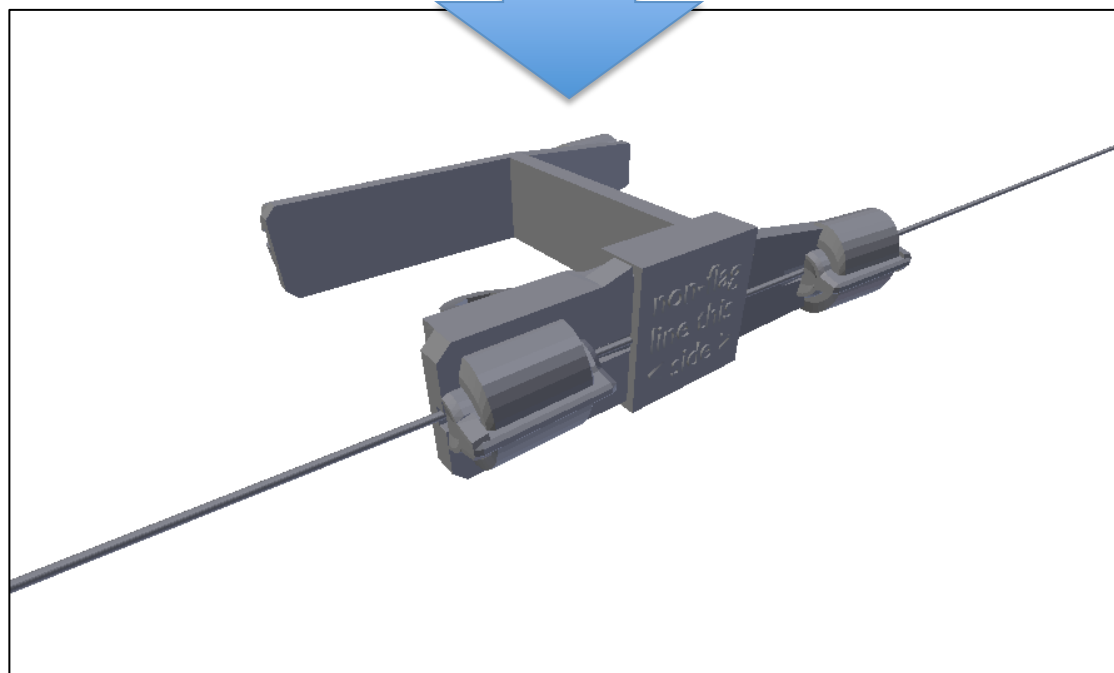
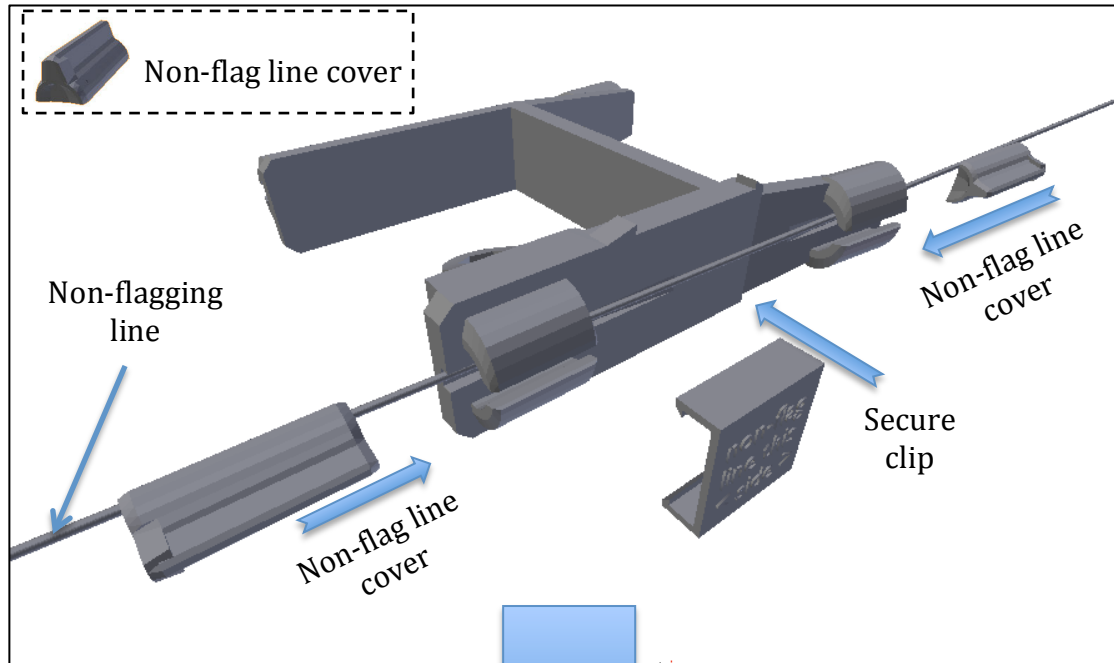
Bad position, distance between front lines too narrow for the mount width.



Bad position, distance between front lines too far for the mount width.

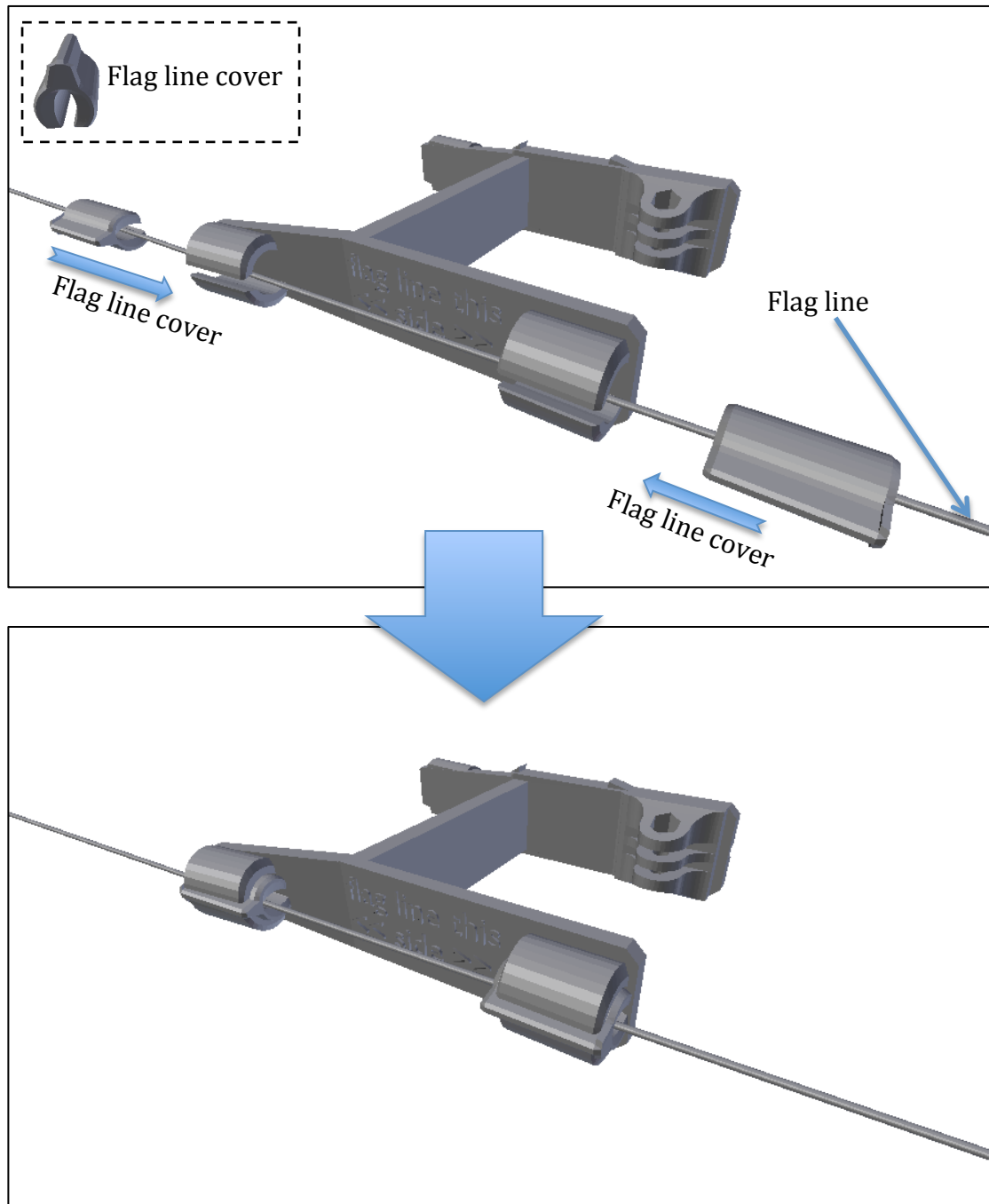
Step 2: Inserting & securing non-flagging line

Place in the non-flagging line into the line grooves as depicted in the diagram below. Secure the line with the non-flag line cover and secure clip to fix the mount position.



Step 3: Inserting flagging line

Place in the flagging line into the holders in the mount. Secure the lines by sliding in the flag line covers into the holder and make sure the line can be flag or move.



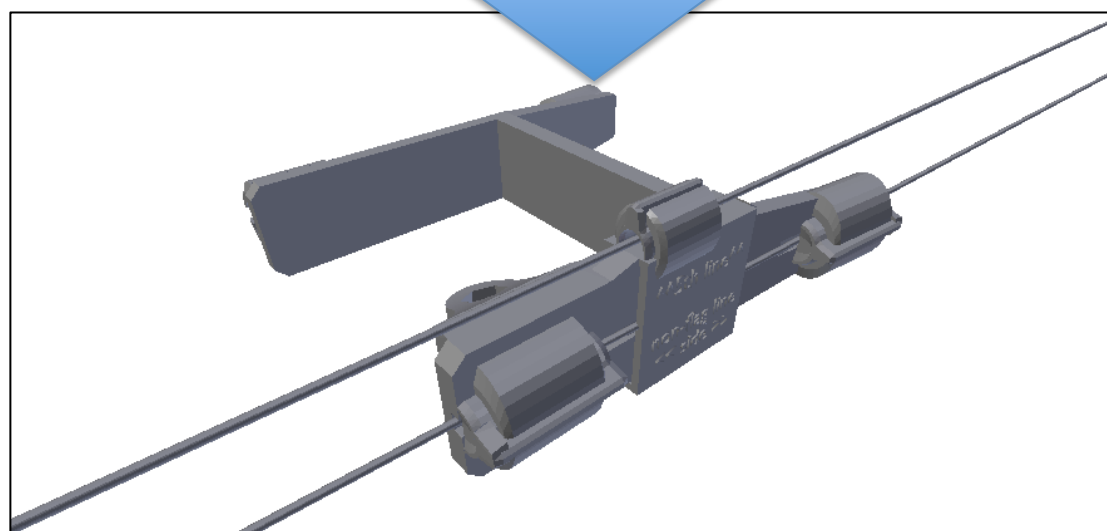
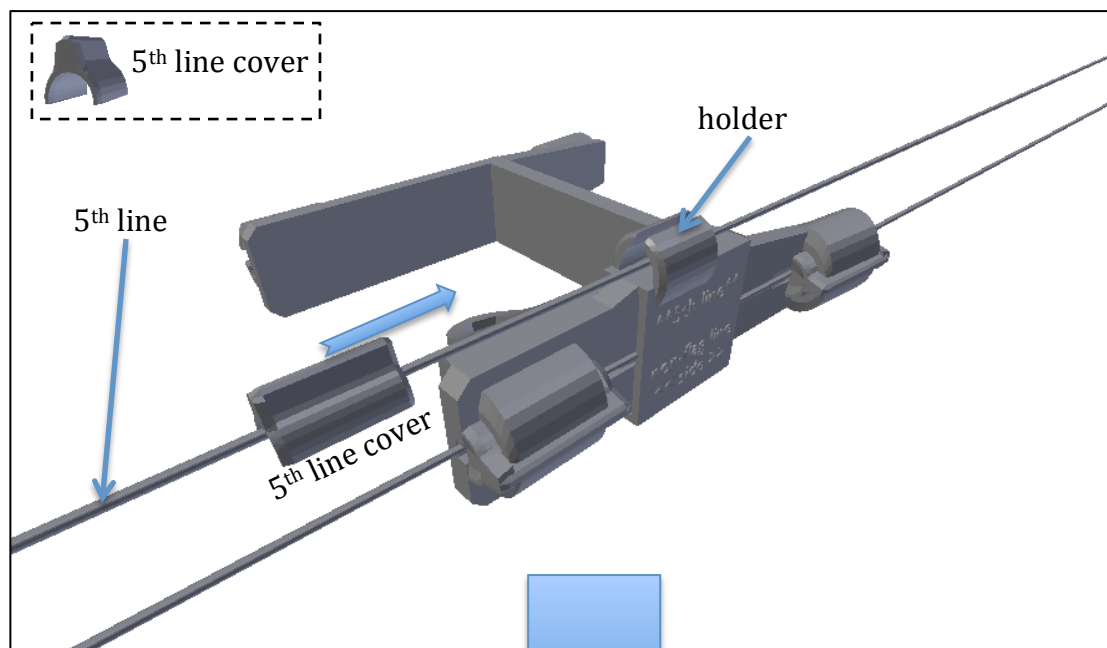
Note: No worries if both of your two front lines are non-flagging lines, you can still use this mount and follow step 2 and 3.

Optional for 5 line kites only: Inserting 5th line

Requires 5th line extension clip kit for this option. Insert 5th/Center kite line in the holder and slide in the 5th line cover to secure the line.



5th line extension clip kit (not included in standard package)



Further support:
sales@kitesurfmount.com
<http://kitesurfmount.com>